

SCREEN-O-MATIC

KEEPS YOUR RAD CLEANER



SCREEN-O-MATIC

Available from:

Manufactured by:

MAPLE GROVE PLASTICS INC.

Box 40, Lauder, MB R0M 1C0

PH: (204) 858-2365

FAX: (204) 858-2632



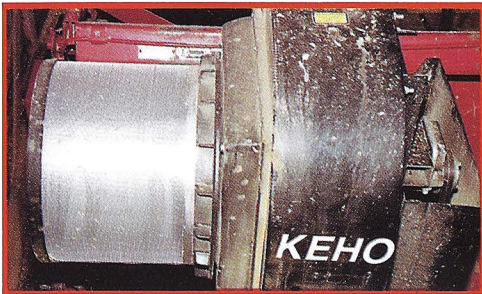
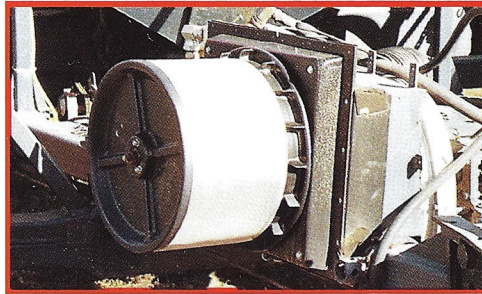
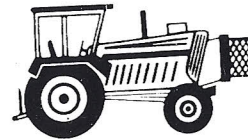
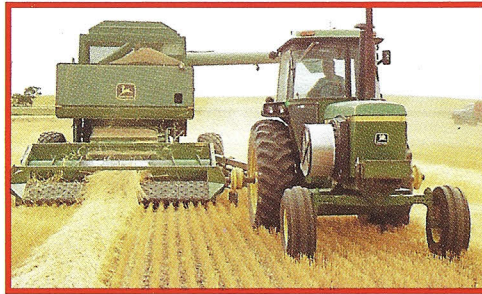
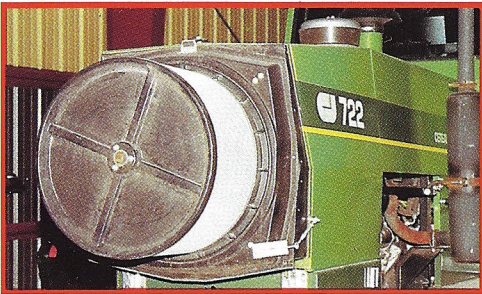
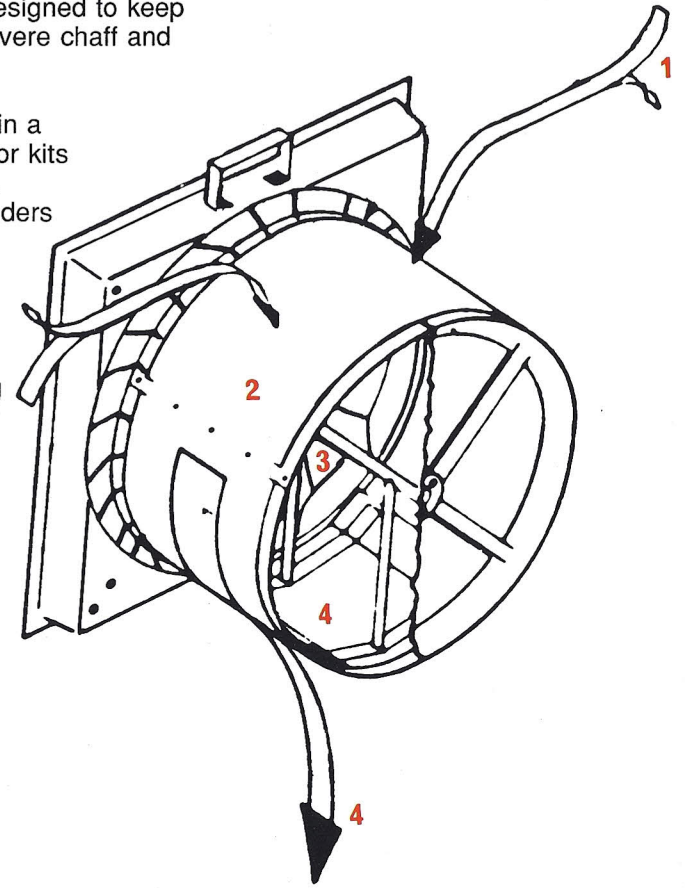
SCREEN-O-MATIC



SCREEN-O-MATIC is designed to keep your radiator cleaner in severe chaff and debris conditions.

They are manufactured in a variety of sizes with adaptor kits available for most tractors, swathers, air reels, air seeders and cotton strippers.

Special adaptors are available for most applications including stationary engines working in severe conditions.



How **SCREEN-O-MATIC** Works

1 Air, chaff and debris are continuously being sucked towards the Screen-O-Matic.

2 The screen filters the chaff and debris allowing cleaner air to flow towards the radiator.

3 On its way towards the radiator, the air is drawn through a special high torque 8 blade fan causing the screen to rotate.

4 The baffle stops the flow of air at the bottom of the screen. This action, combined with the centrifugal force of the rotating screen, automatically releases the chaff and debris at the bottom of the screen.

Screen-O-Matic is a highly efficient, lightweight, durable unit that will help keep your radiator cleaner in severe operating conditions. The body, fan and front cover are manufactured from high impact ABS plastic while the frame and screen are manufactured from aluminum. There is nothing to rust and the only wearing parts are readily available standard sealed bearings.

Maple Grove Plastics is a licensed user manufacturer of **SCREEN-O-MATIC**. **SCREEN-O-MATIC** is protected by Patents in U.S.A., Canada, New Zealand and Australia. Other Patents are pending.